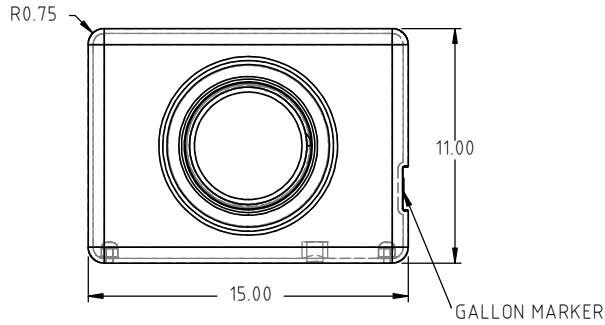


© DEN HARTOG INDUSTRIES, INC.

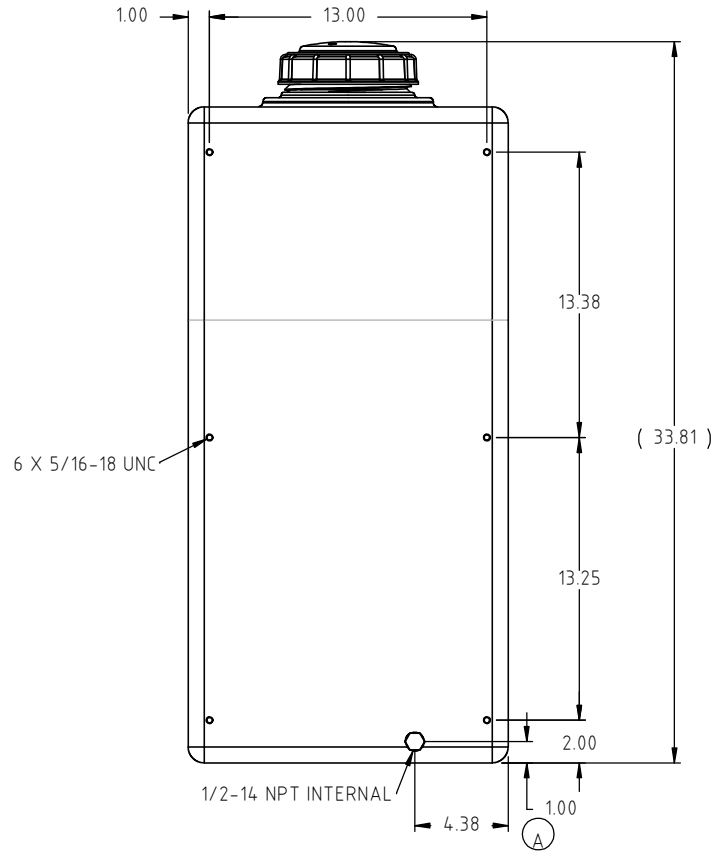
Copyright. All information furnished within this document, electronic file or design correspondence is the property of Den Hartog industries, Inc. and shall not be used, disclosed to others or copied without the expressed written consent of Den Hartog Industries, Inc.

SP0020-0M

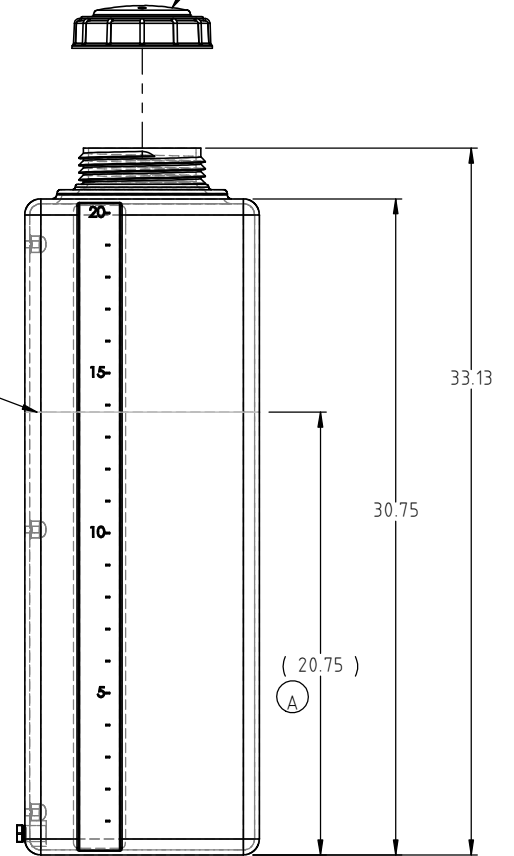
A



5 IN. VENTED LID SHOWN
7 IN AND 8 IN
LID OPTIONS AVAILABLE



PARTING LINE



				DRAWN / DATE DHJ 1/7/03	MATERIAL POLYETHYLENE
A	OUTLET DIMENSIONS, GALLON MARKER, LID OPTIONS. PARTING LINE DETAILS ADDED.	DHJ 5/9/16	3252	APPRO. / DATE REH 1/7/03	
REV	DESCRIPTION	BY / DATE	CCN		
ALL DIMENSIONS ARE IN DECIMAL INCHES TOLERANCES UNLESS OTHERWISE SPECIFIED		THIRD ANGLE PROJECTION ANSI 14.5M		SHOT WEIGHT: 16.00 LBS	NOTES: 1.) NOM. WALL .230
POLYETHYLENE ±1% @ 68°F		METAL DECIMAL ± .125" FRACTION ± 1/4" ANGLE ± 1°		SHIPPING WEIGHT: 17.00 LBS	
		FINISH:			



Den Hartog
INDUSTRIES, INC.

Ace Roto-Mold Injection Molding Blow Molding Sowjoy

4010 HOSPERS DRIVE S. BOX 425, HOSPERS, IOWA 51238-0425

DESCRIPTION 20 GALLON RECTANGLE	
SCALE N.S.	PART NO. SP0020-0M